

LED WARNING LAMP INSTALLATION INSTRUCTIONS

THIS KIT CONTAINS THE FOLLOWING:

- A) LED Warning Lamp Module
- B) Mounting Kit
- C) Installation Instruction Sheet.

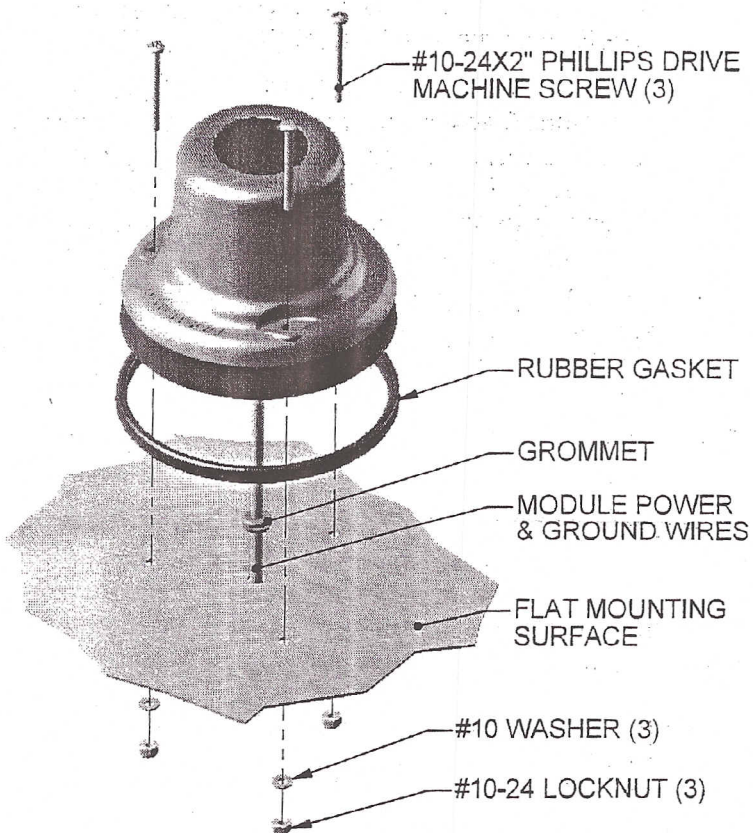
PERFORMANCE DATA:

- Operating Voltage Range: 9-16VDC
- Operating Temperature: -40°C to +70°C
- Reverse Polarity Protection
- Flash Rate: Quad(4) 63 flash sequences/minute
- Meets SAE J845 & J1318 requirements,

INSTALLING THE MODULE:

- 1) The lamp can be mounted with the 3 holes in the lens using the supplied #10 screws, washers and lock nuts or with the optional 3/8"-18 American National Pipe thread kit (sold separately).
- 2) Place the Drilling Template in the desired strobe location and mark the mounting hole locations. Drill three 7/32" diameter holes. If concealed wiring is desired, drill a fourth 3/8" hole in the center. Fit the supplied rubber grommet into the 3/8" hole to protect the module wires from abrasion.
- 3) Secure the lamp using the supplied #10 hardware. Do Not over tighten the mounting hardware. Recommended torque is 10in-lbs.
- 4) Connect the red wire to +9 to +16VDC and the black wire to ground.

MOUNTING DIAGRAM



DRILLING TEMPLATE

