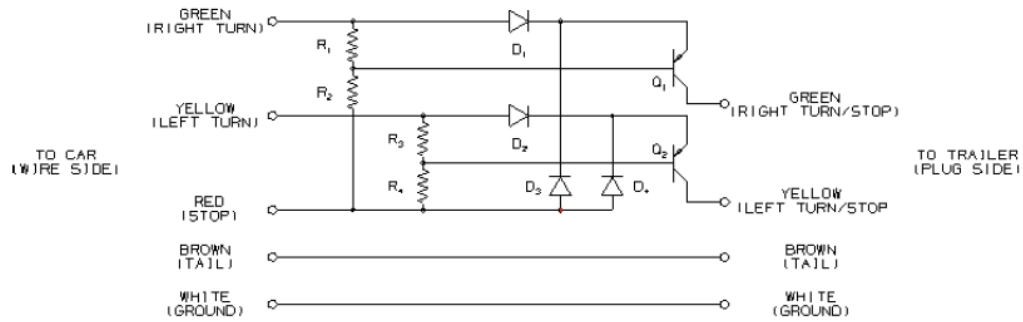


SCHEMATIC DIAGRAM



WIRE DIAGRAM

